

Catalytic incineration for shop roasting

Innovative products around exhaust air

ReiCat stands for experience and innovation in the field of exhaust air. Using the electrically powered catalyst ReiCatino® also smallest coffee roasters can eliminate plumes and odours completely.

Your application

- Smoke and unpleasant odours develop during the coffee roasting process
- Neighbours complain
- Authorities impose conditions

Your advantages

- ☑ Complete removal of plumes and odours
- ☑ Simple upgrade of existing roasters
- ☑ Monitoring of process temperature
- ☑ Electrically heated
- ☑ Compact system
- ☑ Low maintenance and easy handling
- ☑ Energy efficient and environmentally-friendly

Our solution

- An electrically powered heat blower heats the roasting waste air to the needed conversation temperature of the catalyst.
- The catalyst turns the smoke plumes and odours into harmless and odourless waste air.
- Our compact catalytic waste air purification system can easily be integrated into your waste air system – so for your roaster as well!
- Suitable for drum roasters up to 30 kg and waste air capacities of up to 450 Nm³/h (depending on roaster size).



ReiCatino® 100 with insulation



ReiCatino® 450 with insulation

PLEASE FIND MORE INFORMATION AT:

ReiCat GmbH
Zum Wartturm 7
63571 Gelnhausen/ Germany

☎ +49 60 51 / 92 04-0
✉ info@reicat.de
www.reicat.de

02. 855.00.340

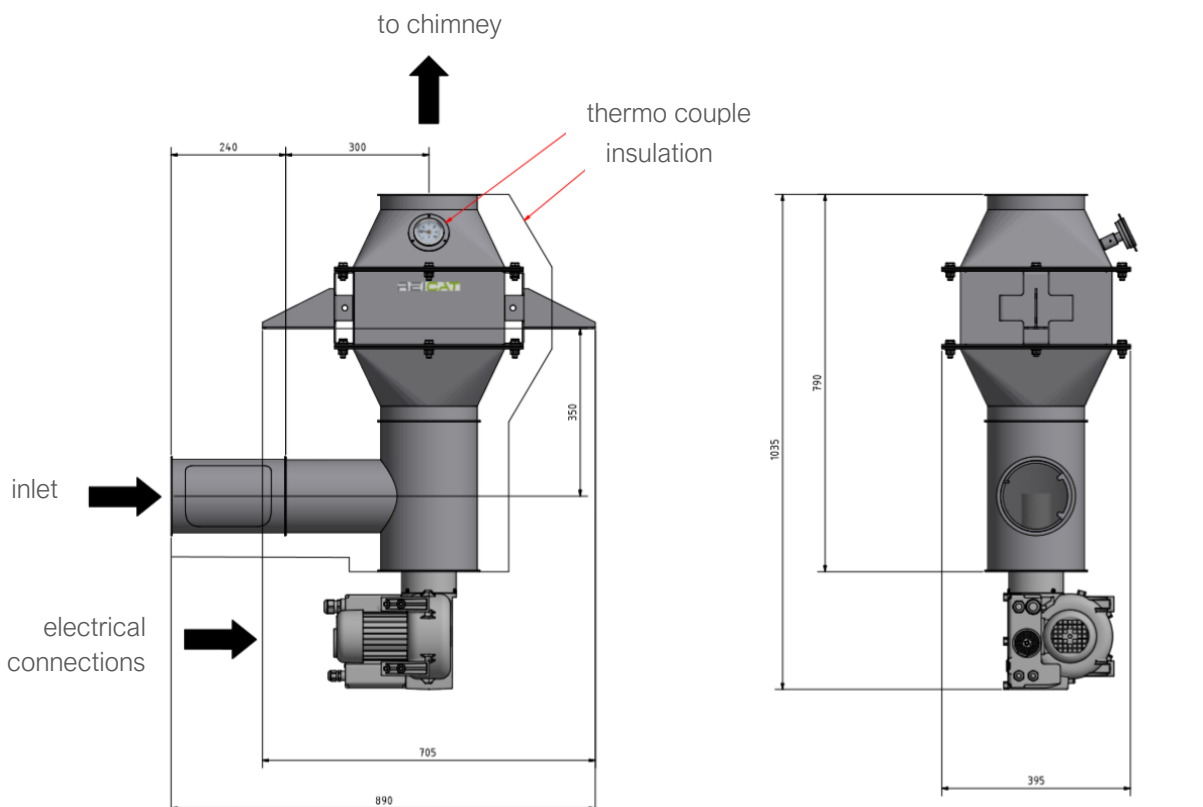


Catalytic incineration for shop roasting

Delivery scope & technical data

Catalyst chamber	approx. 440x440x767 - 400x890x1035 mm (with insulation)
Catalyst	coated ceramic honey comb
Isolation	approx. 60 mm thickness, all around
Power supply	230 V or 3 x 400 V
Power supply heat blower	max. 11 kW
Temperature display	up to 400 °C
Prefilter	does not replace the essential cyclone filter on site
Flange / fitting	optional
Mounting / Aluminium profile	optional

Waste air amount	100 Nm ³ /h	450 Nm ³ /h
Max. blower capacity	5,4 kW	11 kW
Flange inlet / outlet	NW 100 / 100	NW 150 / 200



Sample: Layout ReiCatino® 450

PLEASE FIND MORE INFORMATION AT:

ReiCat GmbH
 Zum Wartturm 7
 63571 Gelnhausen/ Germany

+49 60 51 / 92 04-0
 info@reicat.de
 www.reicat.de

02. 855.00.340

