

## Protective gas production by endogas-generators

### Innovative products around technical gases

ReiCat - your competent partner for gas production, gas purification and gas recycling.  
ReiCat develops and produces systems for the most efficient application of precious technical gases.

#### Your application

- Endogas is required as carrier gas for carburizing processes. To be applied in the heat treatment of alloy steels in annealing furnaces.

#### Your advantages

- Reliable and steady composition of protective gases
- Continuous monitoring by analysis control unit
- Innovative safety concept and equipment according to EN 746-3
- Uninterrupted supply of high gas quality

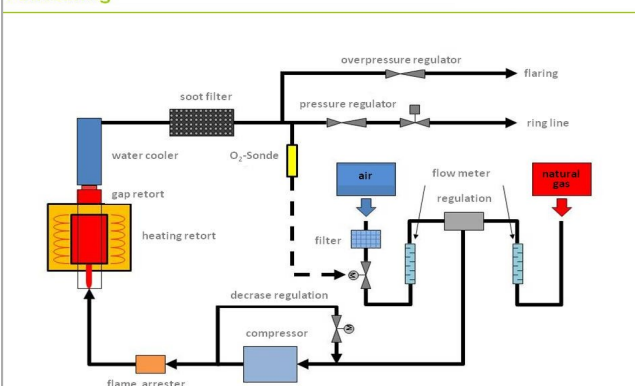
#### Our solution

- ReiCat offers individually designed endogas generators based on the highest technological standards.

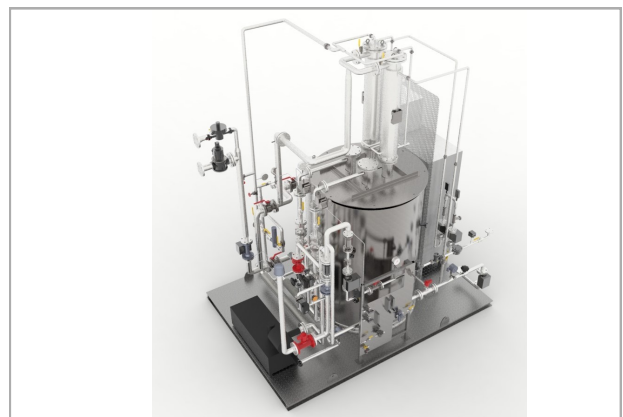
#### Special features

- Precise control of amount and composition of endogas - also in case of fluctuating gas flow requirements
- Prevention of soot generation
- Minimal maintenance and inspection times
- Realisation according to ATEX

#### Annealing



Diagram



Realization

02.400.0.340

PLEASE FIND MORE INFORMATION UNDER:

ReiCat GmbH, Zum Wartturm 7, 63571 Gelnhäusen, Telefon: +49 60 51 / 92 04-10  
info@reicat.de, www.reicat.de

