

### Biogas purification with pressurised scrubber

#### Innovative products around technical gases

ReiCat is the leading company for gas purification and gas recycling. ReiCat develops and produces systems for the most efficient application of valuable technical gases.

#### Your application

##### Biomethane

- Treatment of biogas
- Feed-in to natural gas grid

##### Carbon Dioxide

- Waste water neutralisation
- Aqua culture
- Beverage industry

#### Your advantages

- Purification system with low energy consumption
- Efficient utilisation of biogas in biomethane and carbon dioxide form

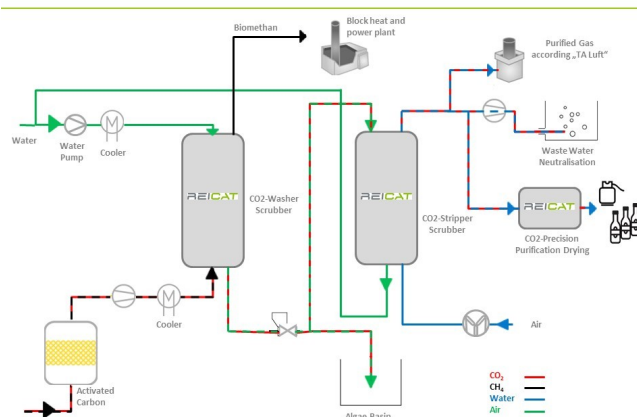
#### Our solution

- Cost-efficient pure gas production by means of adsorption and desorption
- Components to remove:  
CO<sub>2</sub>, H<sub>2</sub>S, H<sub>2</sub>O

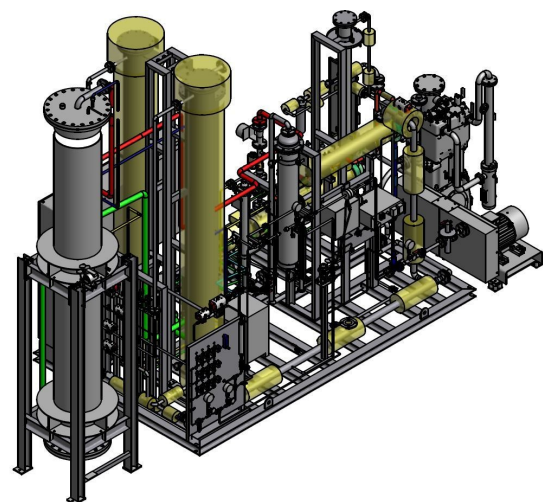
#### Special features

- Different kinds of purification processes can be combined (e. g. preliminary and fine purification of biogas)
- Concepts individually designed according to amount of impurities and customer needs

#### Biogas Purification with Pressurised Scrubber



Diagram



Realization

02.628.0.340

#### FOR FURTHER INFORMATION:

ReiCat GmbH, Zum Wartturm 7, 63571 Gelnhausen, Telefon: +49 60 51 / 92 04-10  
info@reicat.de, www.reicat.de

