

Gas purification systems for production of pure gases

Innovative products around technical gases

ReiCat is the leading company for gas purification and gas recycling. ReiCat develops and produces systems for the most efficient application of valuable technical gases.

Your application

- Pure gas is required but only gases of lower quality are available
- Technical gases are produced which need to be purified

Your advantages

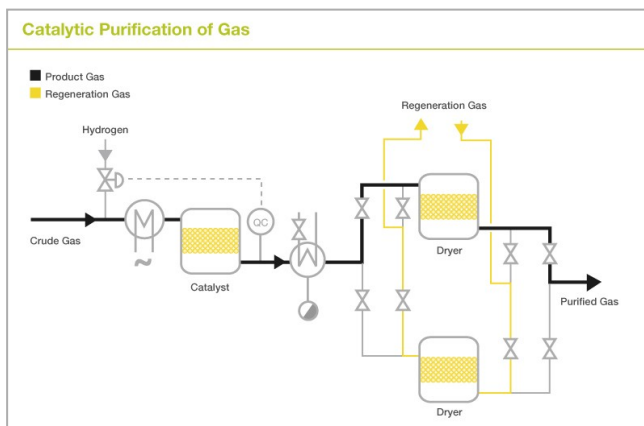
- Cost attractive option compared to pure gas delivery
- Easy integration into the gas supply concept
- Low investment costs
- High lifetimes

Our solution

- Cost-efficient pure gas production using gases of technical quality, which need to be purified at point of use according to process requirements

Special features

- Optimal elimination of existing impurities to a gas quality 5.0 or more
- Different kinds of purification processes can be combined
- Concept of system individually constructed according to amount of impurities and customer needs



Diagram



Realisation

02.394.0.340

PLEASE FIND MORE INFORMATION UNDER:

ReiCat GmbH, Zum Wartturm 7, 63571 Gelnhausen, Telefon: +49 60 51 / 92 04-10
info@reicat.de, www.reicat.de

